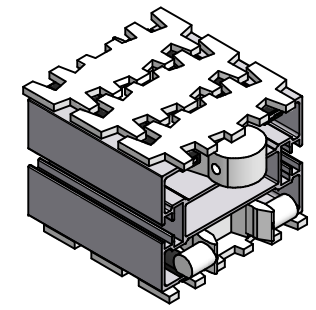
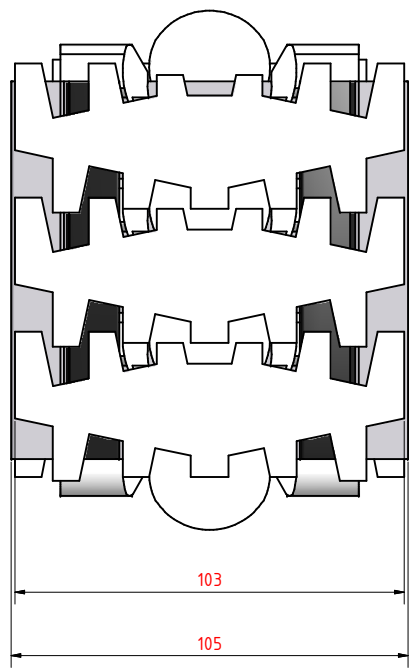
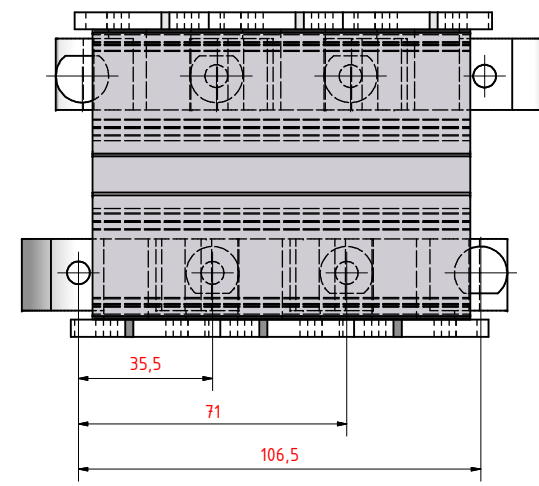
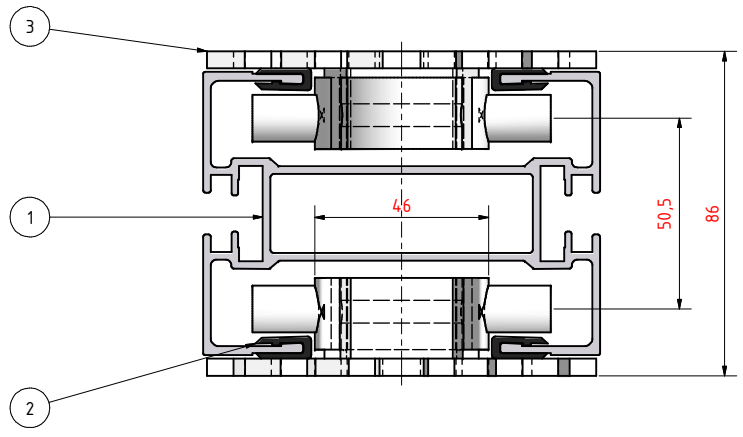


E-M-M-A
 ECONOMICAL
 MODULAR
 MULTIFUNCTIONAL
 AMH CONVEYOR



POZICE	KS	ČÍSLO SOUČÁSTI	POPIS
1	1	A10P-L	Conveyor beam A10
2	4	ASL-25-0	Plastic slide rail HDPE
3	6	A10CH	Plain link

Customer: ---
 Project: ---
 Quotation-Nr.: ---
 Project-Nr.: ---



Name	Datum	Scale	Title
Drawn: Flieger Jiří	3.8.2010		E-M-M-A A10 - ZÁKLADNÍ ROZMĚRY ČLÁNKOVÝ DOPRAVNÍKOVÝ SYSTÉM
Checked:			
Approved:			

CAD-Nr. Autodesk Inventor v.2010 or AutoCAD 2010	Drawing-Nr.	Format A2	Page-Nr.
--	-------------	-----------	----------

Non specified tolerance with reference to ČSN ISO 2768-1

This is an electronically generated technical drawing, which is valid without signature. All copyrights are in our possession. Drawing must not be copied, reproduced or transmitted to third parties without our permission. Abuse of copyright is subject to criminal prosecution.